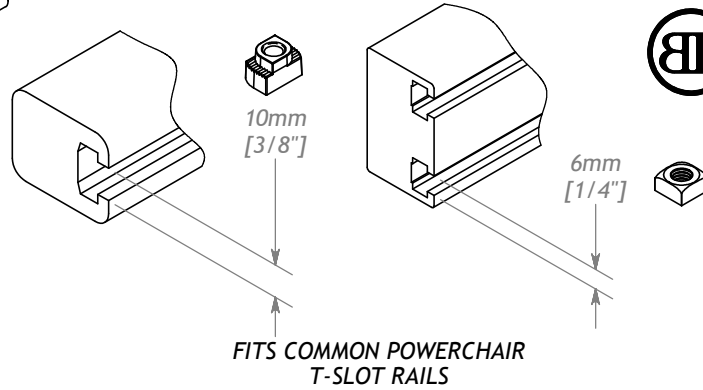
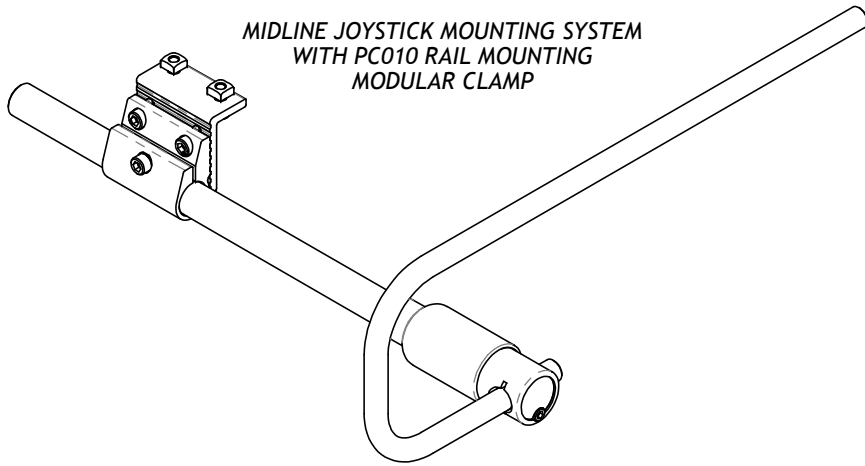
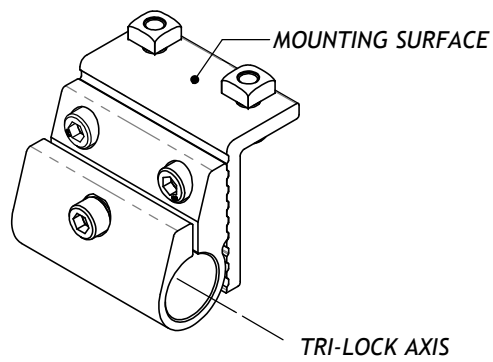


MIDLINE JOYSTICK MOUNTING SYSTEM
WITH PC010 RAIL MOUNTING
MODULAR CLAMP



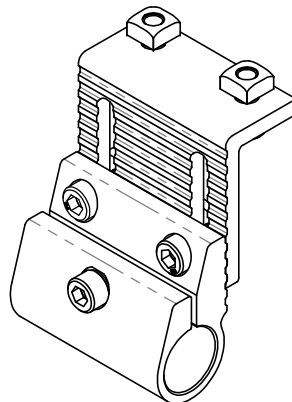
Bodypoint[®]
technical bulletin



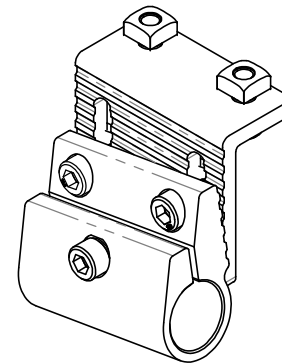
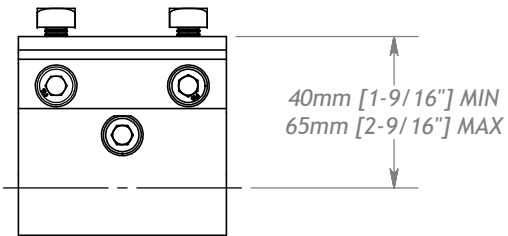
MOUNTING SURFACE

TRI-LOCK AXIS

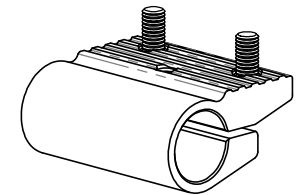
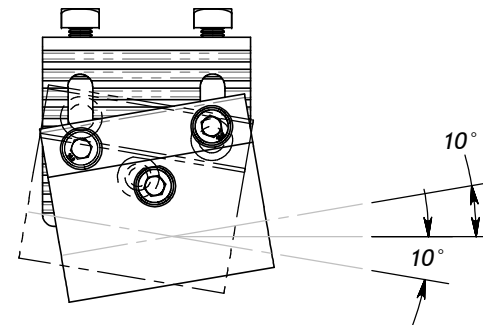
HIGH POSITION



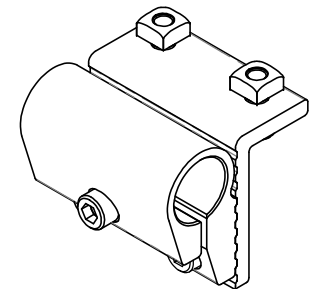
LOW POSITION



ANGLED POSITION



DIRECT MOUNT



INVERTED POSITION

note

description

TRI-LOCK MODULAR CLAMPS

drawing no.

D15-1001-30

date originated

10/1/2015

drawn by

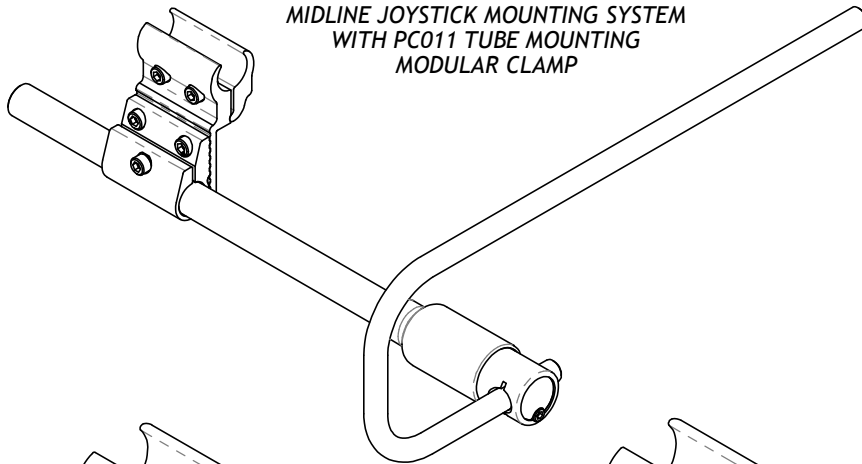
D. HAGAN

rev.

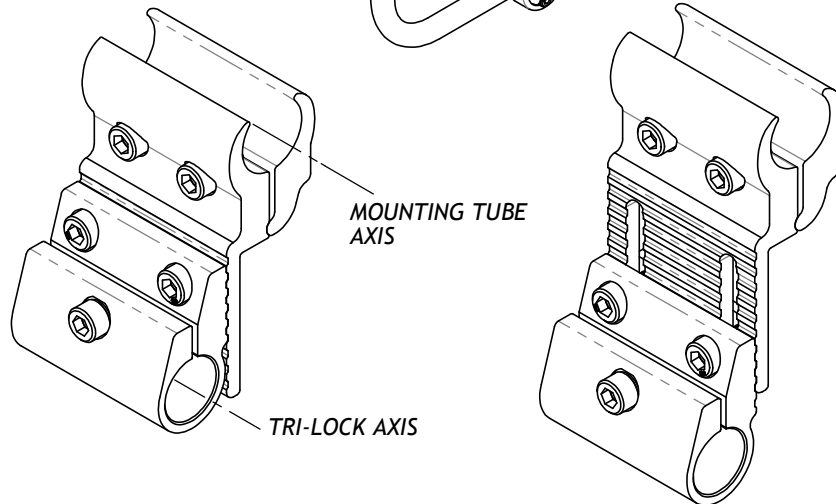
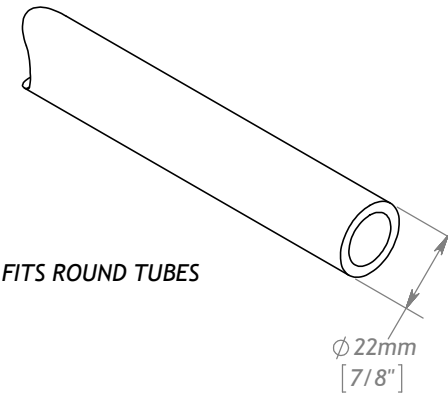
A



MIDLINE JOYSTICK MOUNTING SYSTEM
WITH PC011 TUBE MOUNTING
MODULAR CLAMP

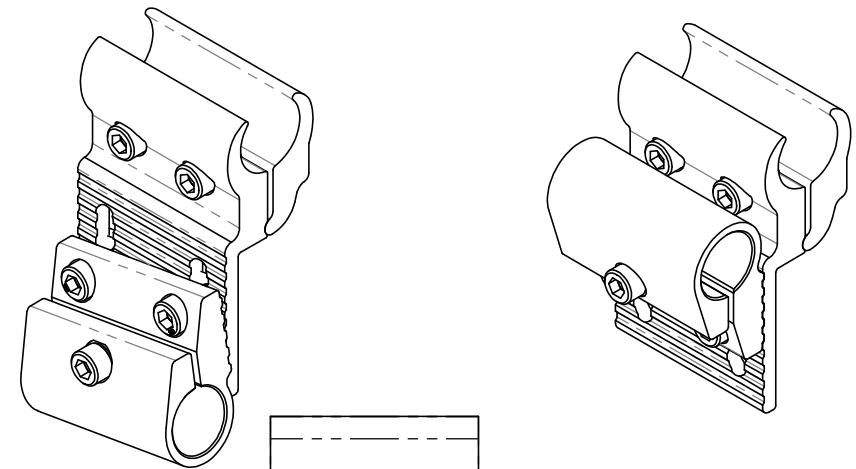
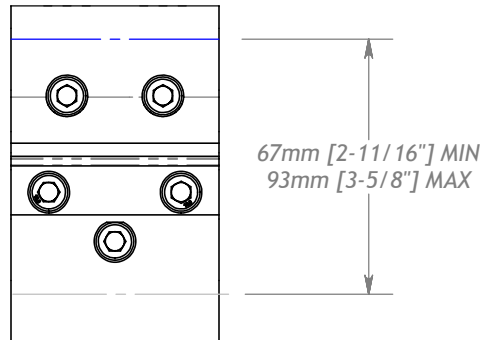


FITS ROUND TUBES



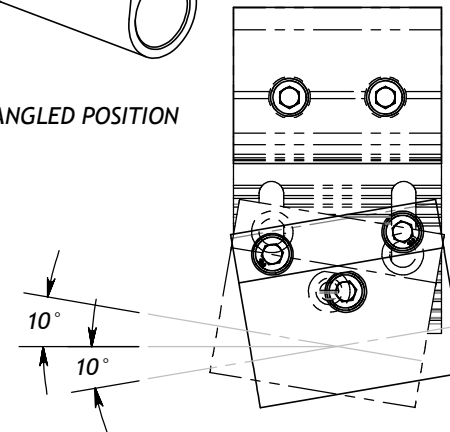
HIGH POSITION

LOW POSITION



ANGLED POSITION

INVERTED POSITION



description			
TRI-LOCK MODULAR CLAMPS			
drawing no.	date originated	drawn by	rev.
D15-1001-30	10/1/2015	D. HAGAN	A